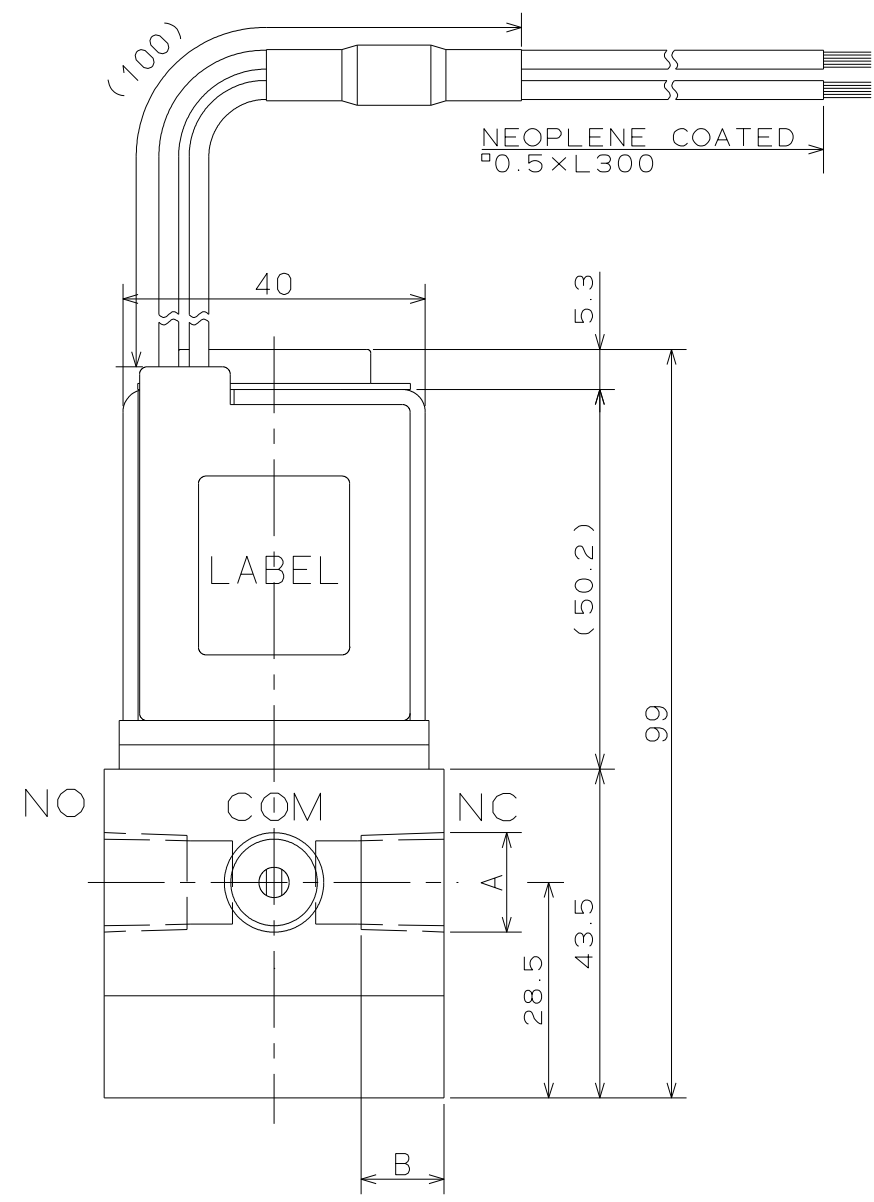


FOR REFERENCE ONLY



SOLENOID VALVE

SPECIFICATIONS for MODEL NCV-3-1/8, 1/4, 3/8(C)

- ORIFICE DIAMETER : 3mm
- PORT CONNECTION : Rc1/8, 1/4, 3/8
- OPERATING PRESSURE RANGE : COM 0 ~ 100kPa { 0 ~ 1.0bar }
NO NC 0 ~ 30kPa { 0 ~ 0.3bar }
- FLUID MEDIA : FLUIDS CHEMICALLY COMPATIBLE WITH MATERIALS BELOW
- RATED VOLTAGE : 12VDC, 24VDC, 90VDC, 100VAC(50/60Hz), 200VAC(50/60Hz) (SILICON RECTIFIER ATTACHED)
- POWER CONSUMPTION : 7W
- DUTY CYCLE : CONTINUOUS
- INSULATION CLASS : CLASS E
- DIELECTRIC STRENGTH : 1500VAC FOR 60s

MODEL NUMBER DETAILED TABLE

MODEL NUMBER	BODY MATERIAL	A	B
NCV-1/8	HPVC/PTFE	Rc1/8	8
NCV-1/4	HPVC/PTFE	Rc1/4	11
NCV-3/8	HPVC/PTFE	Rc3/8	12
NCV-1/8C	SUS316	Rc1/8	8
NCV-1/4C	SUS316	Rc1/4	11
NCV-3/8C	SUS316	Rc3/8	12

WETTED MATERIALS

SYMBOL	DATE	DESCRIPTION	PART NO.	PART NAME	MATERIAL	REQD.	NOTE
△			3	VALVE BODY	HPVC/PTFE/SUS316	1	
△			2	DIAPHRAGM	FPM+PTFE	2	
△			1	STEM	PCTFE	1	
REVISION			PART NO.	PART NAME	MATERIAL	REQD.	NOTE
SCALE	APPROVED	CHECKED	DRAWN	SOLENOID VALVE		DRAWING NO	
1/1				NCV-3-1/8, 1/4, 3/8(C)		00013-00-S	
A 3							